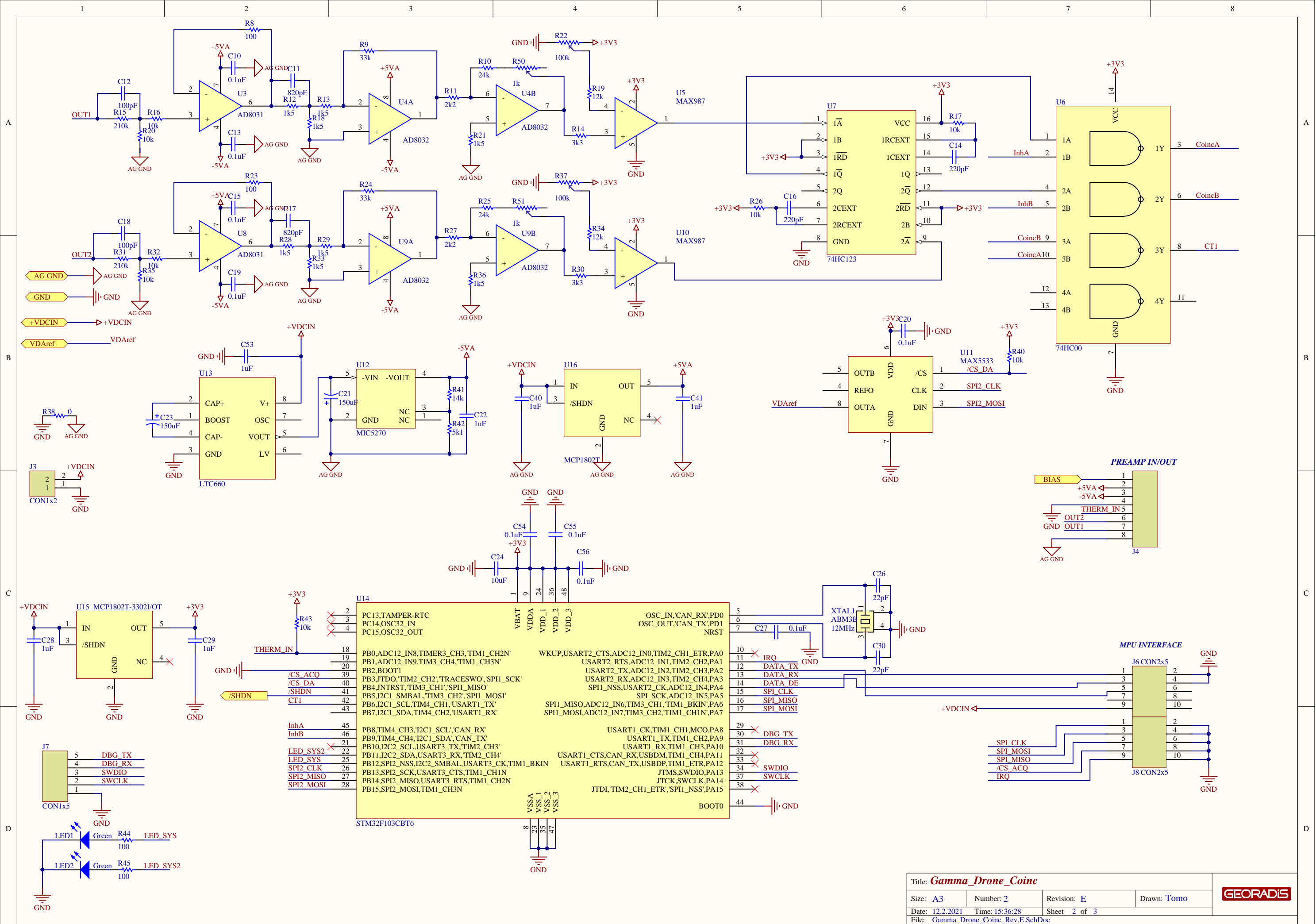
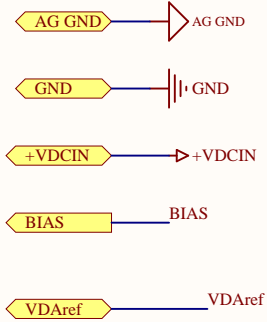
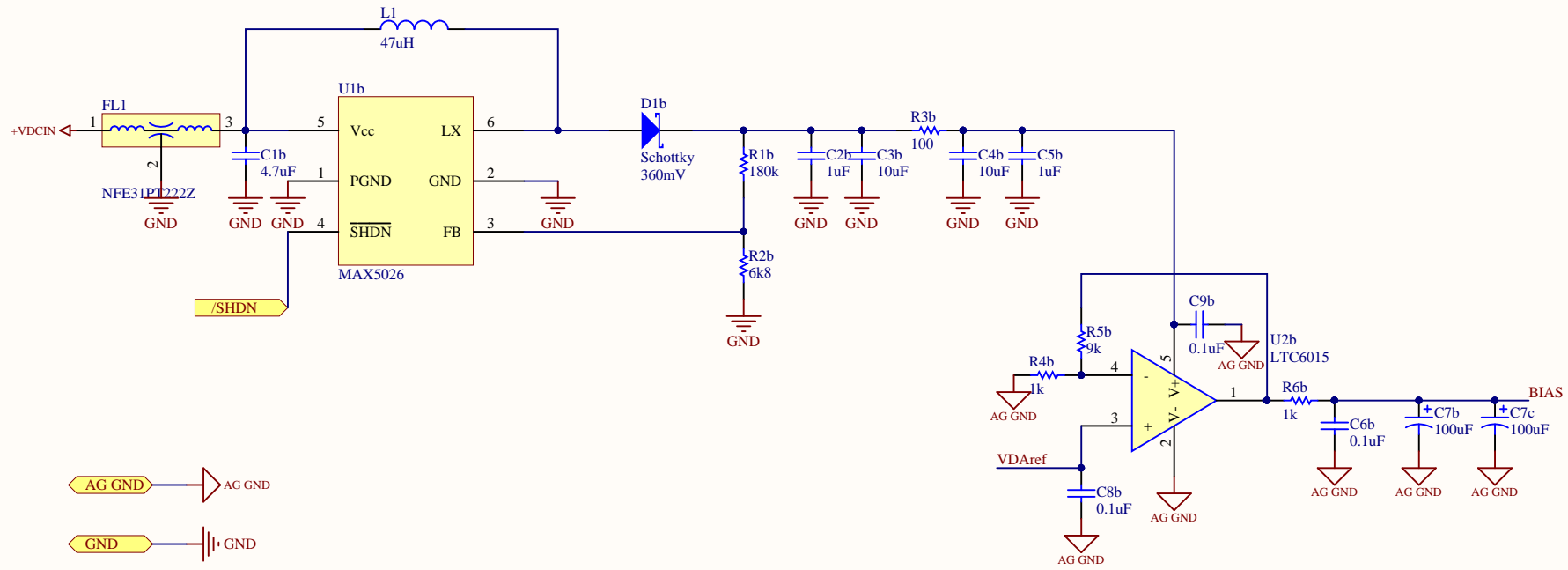


Title: Gamma Drone Coinc Rev E Top				
Size: A4	Number: 1	Revision: E	Drawn: Tomo	
Date: 12.2.2021	Time: 15:36:28	Sheet 1 of 3		
File: Gamma_Drone_Coinc_Rev.E_Top.SchDoc				





Title: *			
Size: A4	Number: 3	Revision: E	Drawn: Tomo
Date: 12.2.2021	Time: 15:36:29	Sheet 3 of 3	
File: Gamma_Drone_Bias_Rev.E.SchDoc			

